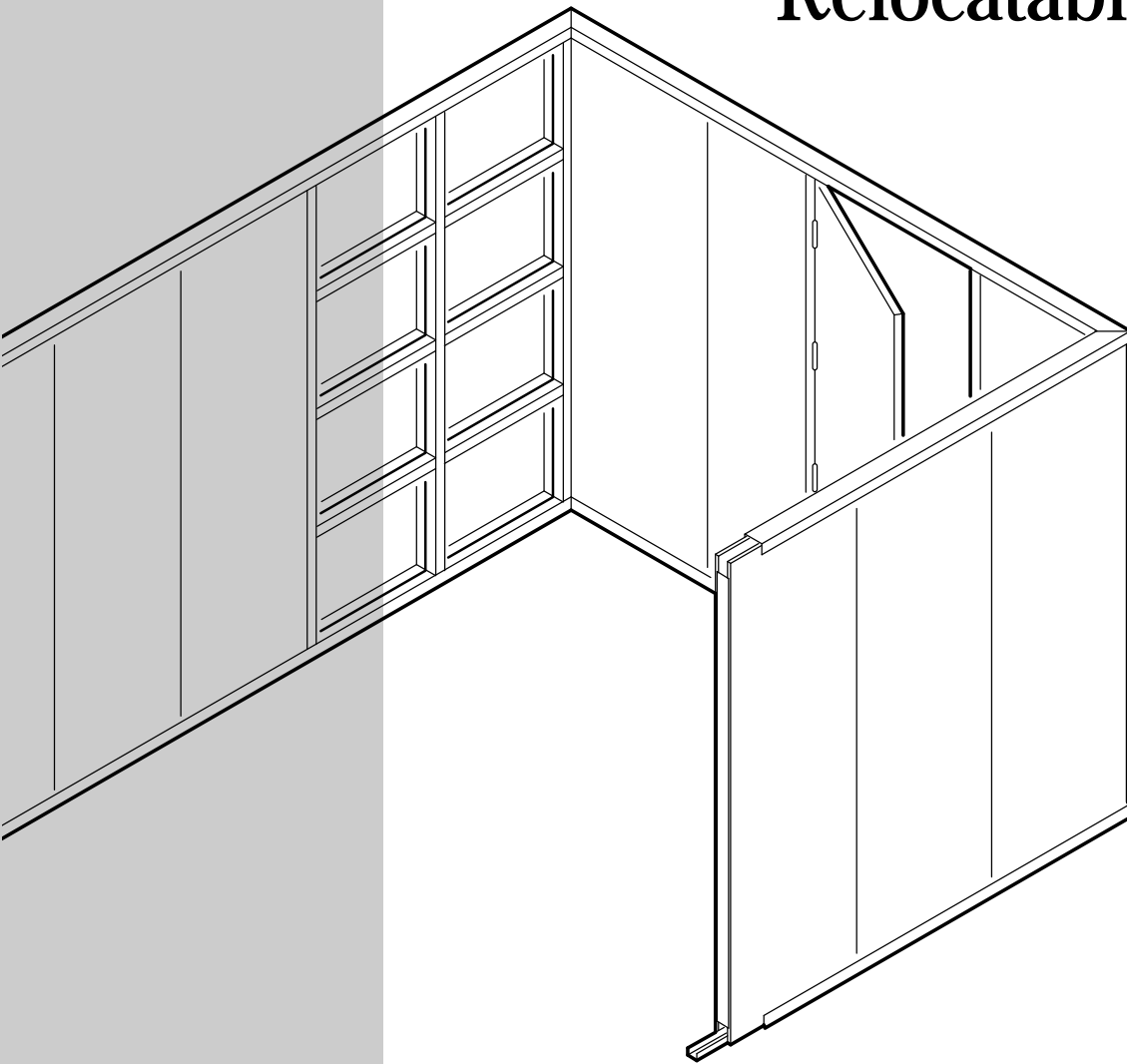


Technical
Details

Ultrawall[®]

Relocatable Partitions



U/W_{LLC}

Technical Details for Relocatable Partition Systems

ULTRAWALL Partition Systems are relocatable and reusable partitions with four basic components: ceiling tracks, floor runners, spline studs and 3/4" gypsum panels. Components are the same for three partition heights: bank rail, cornice and ceiling. Studs come in different types for varying capabilities. Panels are available in 24" widths.

These systems offer the trim, flush appearance of vinyl coverings in various patterns with no visible fasteners. Functional advantages include: Standard 1-hr. and other fire ratings, excellent sound ratings, chase space, and one-side-at-a-time erectability.

Publication Contents

This publication provides architectural details and supplemental information for use in designing and installing Ultrawall Partition Systems. Construction details are presented for the basic ULTRAWALL Partition System (pages 4-8) and for two variations of the system:

- Aluminum Trim Group—Clean, extruded aluminum trim and finishes (pages 9-12)
- Steel/Vinyl Trim Group—Economical alternative to aluminum finishes (pages 13-14)
- Door Frame and Glazing Designs— (page 15)
- Installation Procedure— (page 16)
- Limitations— (page 17)
- System Specifications— (pages 18-19)

Fire and Sound Ratings

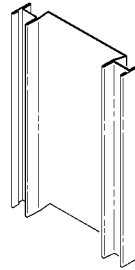
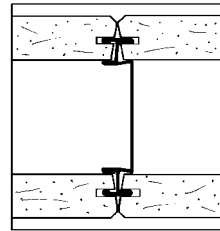
Assembly Description	Test No.	Fire Rating	STC Rating
(A) ULTRAWALL Partition—steel concealed H-studs 24" o.c.—steel runners—3/4" x 24" bevel edge ULTRAWALL gypsum panels—perimeter gaskets—joints unfinished wt 7 width 3-3/8"	U of C ⁽²⁾ 8/18/67 UL Des. U427 ⁽⁵⁾ BBN-701008 ⁽¹⁾	1 hr.	42
Same construction as (A) above except with 3/4" x 30" ULTRAWALL gypsum panels	U of C ⁽²⁾ 7/23/69 UL Des. U427 ⁽⁵⁾	1 hr.	
Same construction as (A) above except with 3/4" x 30" ULTRAWALL gypsum panels and aluminum ceiling runner	WJE ⁽³⁾ 12/29/70 UL Des. U427 ⁽⁵⁾	1 hr.	
(B) ULTRAWALL Partition—steel concealed H-studs 24" o.c.—steel floor runners—painted steel ceiling runner with interior tabs—3/4" x 24" bevel edge ULTRAWALL gypsum panels—joints unfinished wt 7 width 3-3/8"	WHI-120/121 ⁽⁷⁾ UL Des. U427 ⁽⁵⁾	1 hr.	
Same construction as (B) above except with ARL-300 aluminum ceiling runner	WHI-495 -0225/0226 ⁽⁷⁾ UL Des. U427 ⁽⁵⁾	1 hr.	
(C) ULTRAWALL Partition—steel concealed H-studs 24" o.c.—1" THERMAFIBER sound attenuation fire blankets—3/4" x 24" bevel edge ULTRAWALL gypsum panels—perimeter gaskets—joints unfinished wt 7 width 3-3/8"	UL Des. U427 ⁽⁵⁾ BBN-701216 ⁽¹⁾		47
(D) ULTRAWALL Partition—steel concealed H-studs 24" o.c.—1-1/2" THERMAFIBER sound attenuation fire blankets—3/4" x 24" bevel edge ULTRAWALL gypsum panels one side—double layer opposite side with 3/4" Z-runners between layers—joints unfinished—perimeter caulked—painted wt 12 width 4-1/2"	UL Des. U416 ⁽⁵⁾ TL-70-198 ⁽⁴⁾	2 hr.	50
(E) ULTRAWALL Partition—steel concealed I-studs 24" o.c.—steel runners—3/4" x 24" Bevel edge ULTRAWALL gypsum panels—perimeter gaskets—joints finished	S+A ⁽⁸⁾ 930424 4-22-93		37
Same construction as (E) above with 1-1/2" SAFB INSULATION	S+A ⁽⁸⁾ 930426 4-22-93		44
(F) ULTRAWALL Partition—steel concealed T-studs both sides 24" o.c.—3/4" x 24" bevel edge ULTRAWALL gypsum panels—joints staggered and unfinished—perimeter caulked wt 8 width 3-3/8"	TL-70-252 ⁽⁴⁾		40
Same construction as (F) above with 1-1/2" THERMAFIBER sound attenuation fire blankets wt 8 width 3-3/8"	TL-70-251 ⁽⁴⁾		48
(G) Door/Door Frame Assembly—4'0" x 10'0" SMR DELTA frame in ULTRAWALL Partition—full height opening—snap-in header, ARL-300 rail—jamb attached to rail with F-clips—wood (fire-rated) door	WHI-2986 ⁽⁷⁾	20 min.	
(H) Door/Door Frame Assembly Side Light—4'0" x 10'0" SMR DELTA frame in ULTRAWALL Partition—same construction as above except double struts on hinge side—2' x 10" (nom.) side light—AGL-340 jamb attached to wall with DURABOND [®] 90 adhesive—AGL-341 snapped into ARL-300 head and DELTA jamb—four 3/16" bolts through jamb—AGL-345 sill-2" wired glass	WHI-2996 ⁽⁷⁾	20 min.	
(I) Door/Door Frame Assembly—Two Side Lights—3'0" x 10'0" SMR DELTA frame in ULTRAWALL Partition—2' x 10" (nom.) side lights each side of frame—same construction as (H) above except no studs at jamb section	WHI-3318 ⁽⁷⁾	20 min.	

(1) Bolt, Beranek & Newman (2) University of California (3) Wiss, Janney, Elstner Associates (4) Riverbank Acoustical Laboratories (5) Underwriters Laboratories Inc. (6) United States Gypsum Acoustical Research Facility (7) Warnock Hersey International (8) Shiner Associates, Inc. Sound tests are conducted per ASTM procedures.

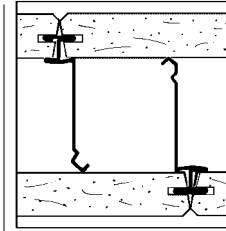
System Components

Stud Designs

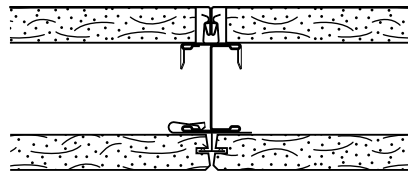
There are three different studs for use with ULTRAWALL Partitions. Two steel studs are made for the fire-rated ULTRAWALL Partition System.



1. Steel H-stud—the STANDARD: fastest, lowest-cost, with easy chasing of utility lines. Fire-rated.



2. Steel T-stud—for ONE-SIDE-AT-A-TIME, or staggered joints; also interchangeable with H-studs. Fire-rated.



3. Steel I-stud—for Steel faced Ultrawall, Panels and Point Accessibility

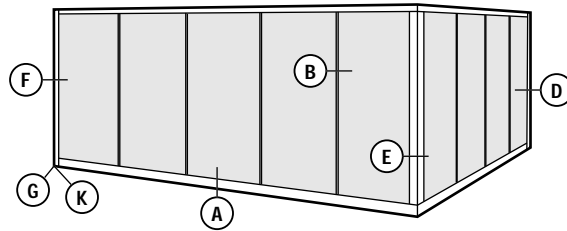
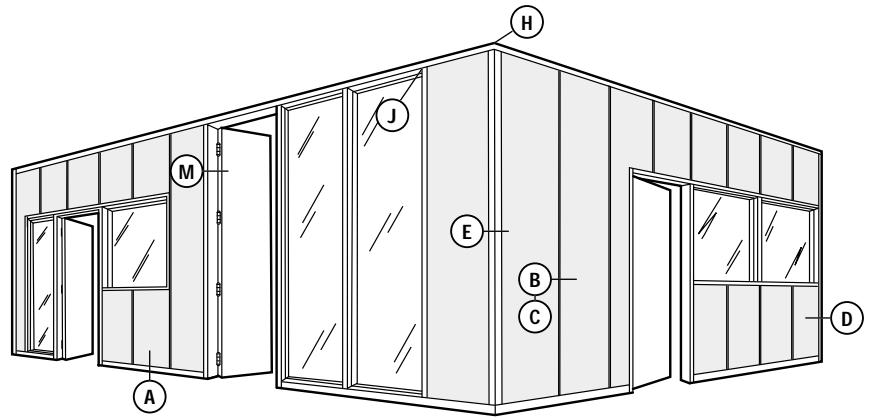
Panels

ULTRAWALL Panels are 3/4" thick gypsum panels 24" wide in 8', 9', 10' and 12' lengths. The extra thickness of ULTRAWALL Panels improves sound attenuation and fire protection. Panels are bevel edged and factory kerfed for easy attachment to studs. Select from a wide variety of vinyl finishes.

Basic System

All ULTRAWALL Systems are constructed with 3/4" thick gypsum panels, ceiling track, steel floor runners and studs suitable to the situation. The following illustrations detail floor attachments, stud arrangements, corner configurations, etc. that are common to all ULTRAWALL Partition Systems.

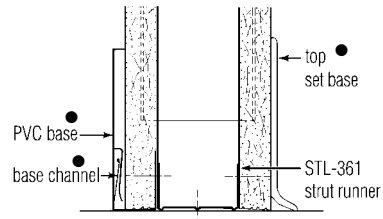
Perspective



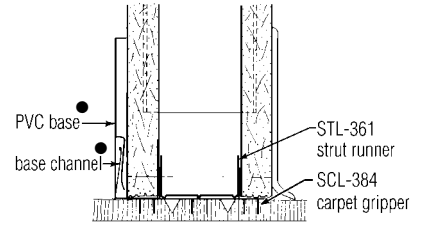
ULTRAWALL
Relocatable
Partitions

Continued

Floor Attachments

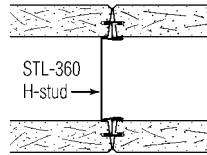


(A)

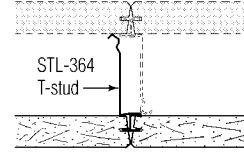


(A) alt.

Stud Assemblies

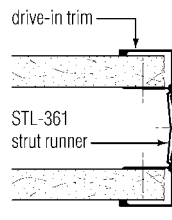


(B)



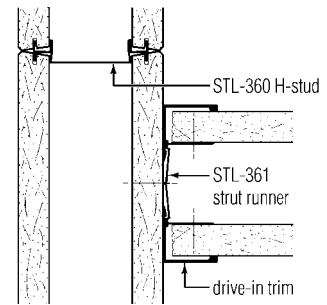
(C)

Tee Intersection with Existing Wall



(D)

Partition Intersection

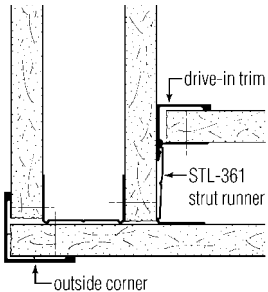
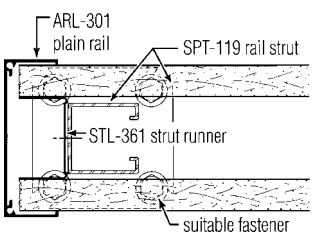
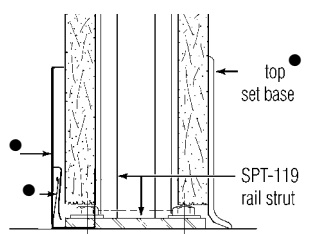
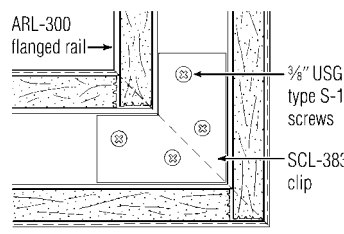
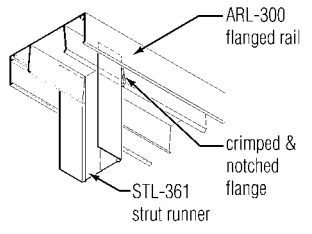
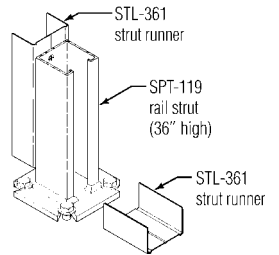
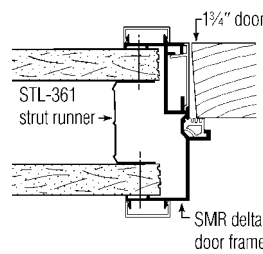


(D) alt.

• Supplied by others

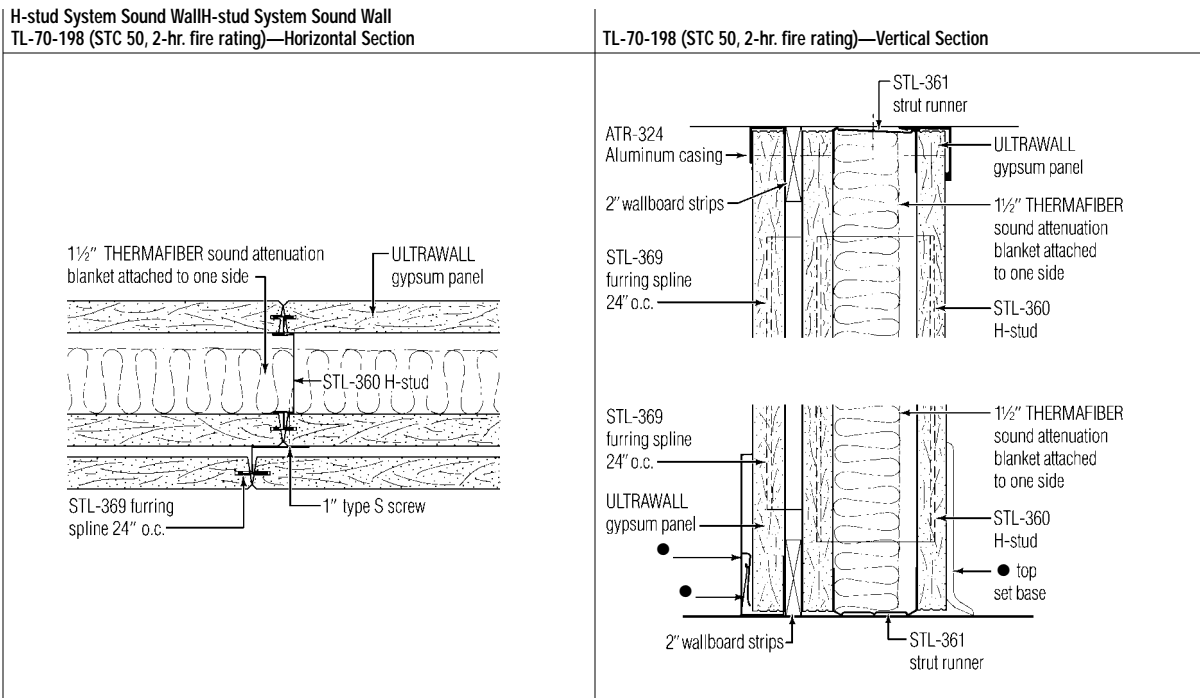
ULTRAWALL
Relocatable
Partitions

Continued

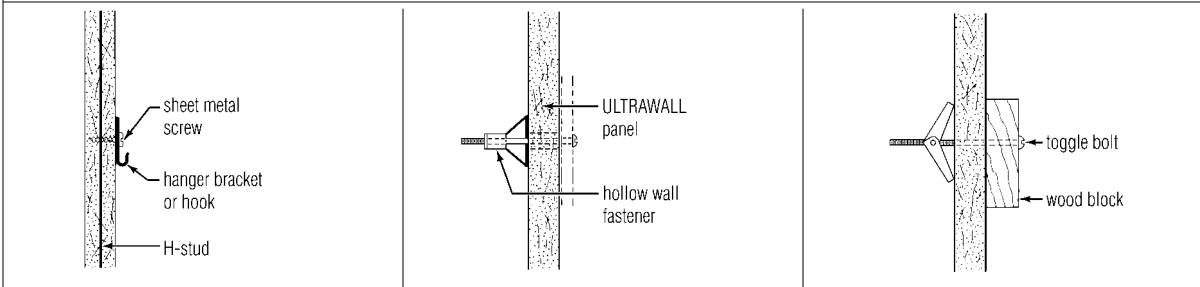
Corner Assembly	Termination Assembly	Wall Assembly
 <p>E</p>	 <p>F</p>	 <p>G</p>
<p>Miter Alignment (Flanged Rail)</p>	<p>Ceiling Flanged Rail Attachment</p>	<p>Free Standing Wall Base Attachment Standard Assembly</p>
 <p>H</p>	 <p>J</p>	 <p>K</p>
<p>SMR Delta Door Frame</p>		
 <p>M</p>		

• Supplied by others

Continued



Fixture Attachments—light



Fixture Attachment Data

Fastener Loads

Fastener Type and Attachment	Allow. Withdrawal Resistance		Allow. Shear Resistance	
	lb'	N ⁽¹⁾	lb'	N ⁽¹⁾
Type S screw into H or T-stud	100	445	100	445
#8 s.m. screw into H or T-stud	80	356	100	445
1/4" (6.35 mm) hollow wall fastener into panel only	40	178	80	356
1/4" (6.35 mm) toggle bolt into panel only	40	178	60	267

Partition Load Capacity

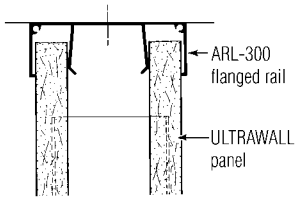
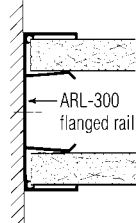
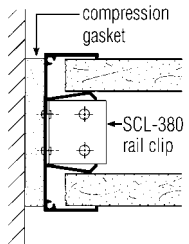
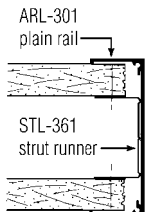
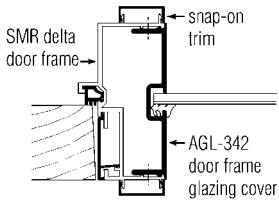
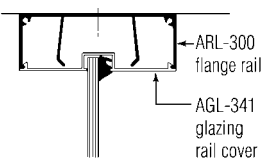
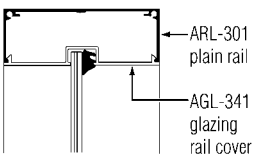
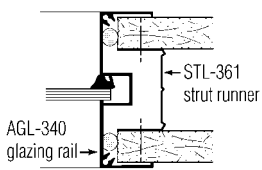
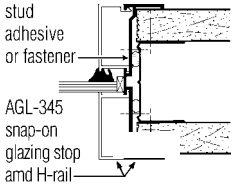
Attachment System	Max. Load One Side		Max. Load Both Sides	
	lb'	N ⁽¹⁾	lb'	N ⁽¹⁾
Type S screw into H-stud	350 per stud	1557 per stud	500 per stud	2224 per stud
Type S screw into T-stud	350 per stud	1557 per stud	350 per stud	1557 per stud
1/4" (6.35 mm) hollow wall fastener or toggle bolt into panel with H-studs ⁽²⁾	250 per panel	1112 per panel	250 per panel	1112 per panel
1/4" (6.35 mm) hollow wall fastener or toggle bolt into panel with T-studs ⁽²⁾	125 per panel	556 per panel	125 per panel	556 per panel

(1) Newton

(2) Attachment located at vertical centerline of panel.

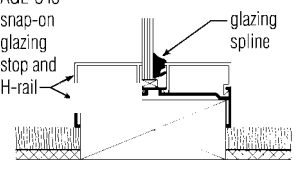
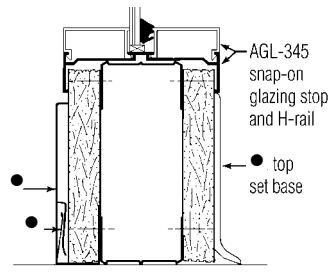
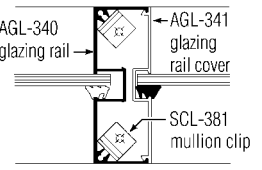
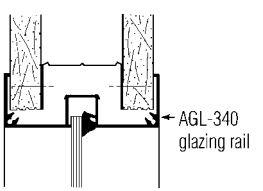
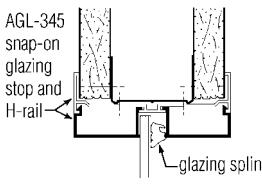
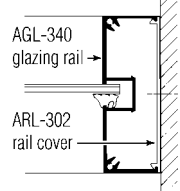
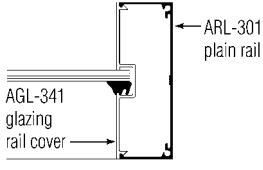
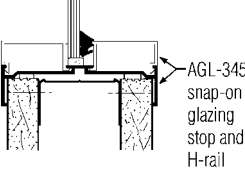
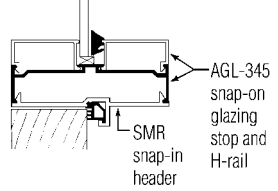
ULTRAWALL
Relocatable
Partitions

Continued

<p>Ceiling Rail</p>  <p>ARL-300 flanged rail ULTRAWALL panel</p> <p>3A</p>	<p>Starter Rail</p>  <p>ARL-300 flanged rail</p> <p>3B</p>	<p>Starter Rail</p>  <p>compression gasket ARL-300 flange rail SCL-380 rail clip</p> <p>3B alt.-1</p>
<p>Termination</p>  <p>ARL-301 plain rail STL-361 strut runner</p> <p>3C</p>	<p>Door Frame Glazing</p>  <p>SMR delta door frame snap-on trim AGL-342 door frame glazing cover</p> <p>3D</p>	<p>Ceiling Height Glazing</p>  <p>ARL-300 flange rail AGL-341 glazing rail cover</p> <p>3E</p>
<p>Ceiling Height Glazing</p>  <p>ARL-301 plain rail AGL-341 glazing rail cover</p> <p>3E alt.</p>	<p>Panel Edge Glazing</p>  <p>AGL-340 glazing rail STL-361 strut runner</p> <p>3F</p>	<p>Panel Edge Glazing</p>  <p>stud adhesive or fastener AGL-345 snap-on glazing stop H-rail</p> <p>3F alt.</p>

ULTRAWALL
Relocatable
Partitions

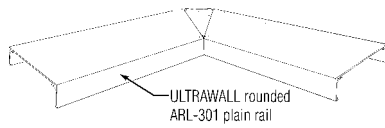
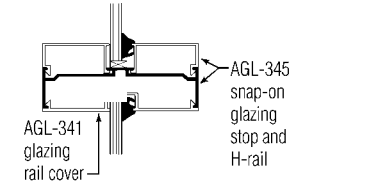
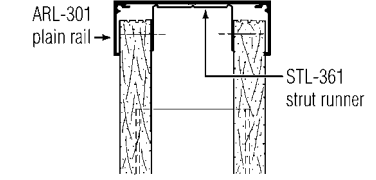
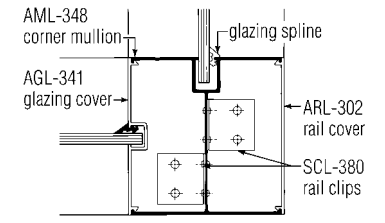
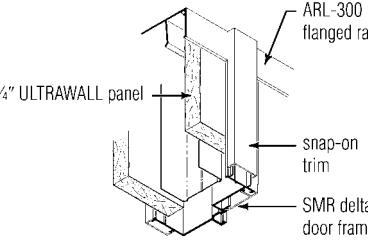
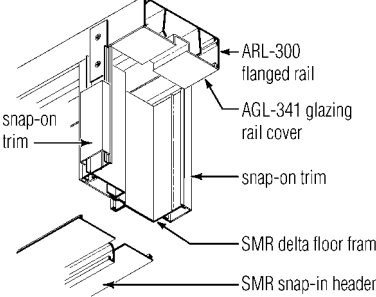
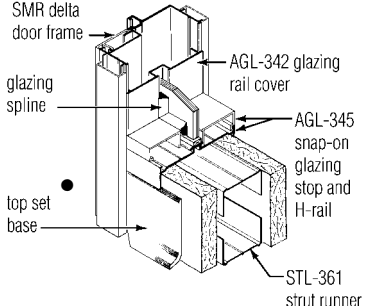
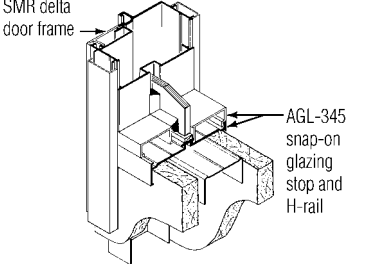
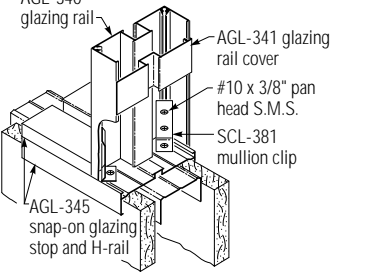
Continued

Floor/Base Level Glazing	Floor/Base Sill Glazing	Mullion
 <p>AGL-345 snap-on glazing stop and H-rail</p> <p>glazing spline</p> <p>3G</p>	 <p>AGL-345 snap-on glazing stop and H-rail</p> <p>top set base</p> <p>3G alt.</p>	 <p>AGL-340 glazing rail</p> <p>AGL-341 glazing rail cover</p> <p>SCL-381 mullion clip</p> <p>3H</p>
 <p>AGL-340 glazing rail</p> <p>3I</p>	 <p>AGL-345 snap-on glazing stop and H-rail</p> <p>glazing spline</p> <p>3I alt.</p>	 <p>AGL-340 glazing rail</p> <p>ARL-302 rail cover</p> <p>3J</p>
 <p>ARL-301 plain rail</p> <p>AGL-341 glazing rail cover</p> <p>3J alt.</p>	 <p>AGL-345 snap-on glazing stop and H-rail</p> <p>3K</p>	 <p>AGL-345 snap-on glazing stop and H-rail</p> <p>SMR snap-in header</p> <p>3L</p>

• Supplied by others

ULTRAWALL
Relocatable
Partitions

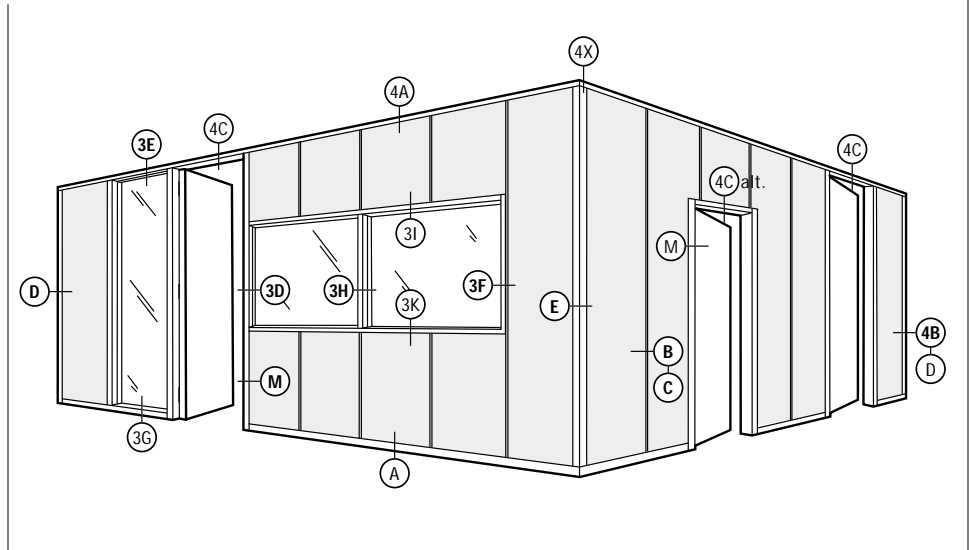
Continued

<p>ACR-714 Rounded Ceiling Corner</p>  <p>ULTRAWALL rounded ARL-301 plain rail</p> <p>H</p>	<p>Stacked Lite Glazing</p>  <p>AGL-341 glazing rail cover</p> <p>AGL-345 snap-on glazing stop and H-rail</p> <p>3M</p>	<p>Rail/Cornice Height</p>  <p>ARL-301 plain rail</p> <p>STL-361 strut runner</p> <p>3N</p>
<p>Corner Mullion</p>  <p>AML-348 corner mullion</p> <p>glazing spline</p> <p>AGL-341 glazing cover</p> <p>ARL-302 rail cover</p> <p>SCL-380 rail clips</p> <p>3P</p>	<p>Assembly Drawing</p>  <p>ARL-300 flanged rail</p> <p>3/4" ULTRAWALL panel</p> <p>snap-on trim</p> <p>SMR delta door frame</p> <p>3V</p>	<p>Assembly Drawing</p>  <p>ARL-300 flanged rail</p> <p>AGL-341 glazing rail cover</p> <p>snap-on trim</p> <p>SMR delta floor frame</p> <p>SMR snap-in header</p> <p>3W</p>
<p>Assembly Drawing</p>  <p>SMR delta door frame</p> <p>glazing spline</p> <p>top set base</p> <p>AGL-342 glazing rail cover</p> <p>AGL-345 snap-on glazing stop and H-rail</p> <p>STL-361 strut runner</p> <p>3X</p>	<p>Assembly Drawing</p>  <p>SMR delta door frame</p> <p>AGL-345 snap-on glazing stop and H-rail</p> <p>3Y</p>	<p>Assembly Drawing</p>  <p>AGL-340 glazing rail</p> <p>AGL-341 glazing rail cover</p> <p>#10 x 3/8" pan head S.M.S.</p> <p>SCL-381 mullion clip</p> <p>AGL-345 snap-on glazing stop and H-rail</p> <p>3Z</p>

Steel/Vinyl Trim Group

The Steel/Vinyl Trim Group is an economical alternative to aluminum finishes for ULTRAWALL Partitions. The following illustrations detail the use of steel/vinyl components.

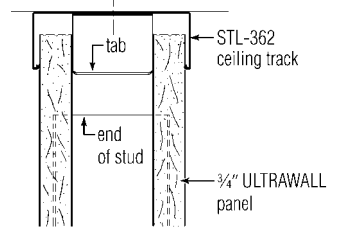
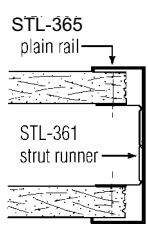
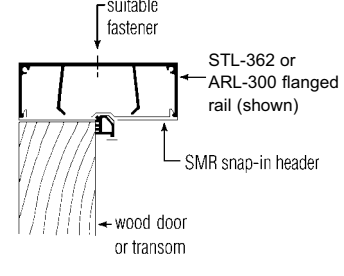
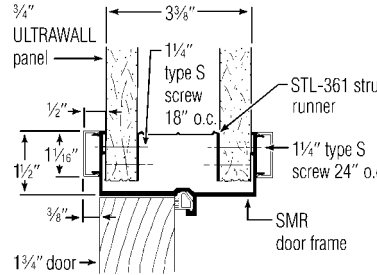
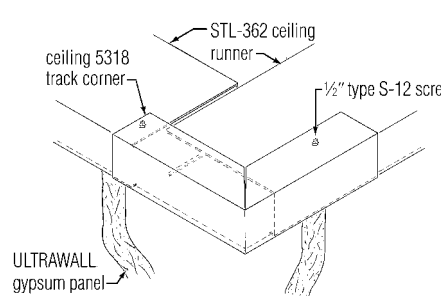
Steel/Vinyl Trim Group Perspective



Note: Details A, B, C, D, E and M are shown on pages 6 and 7.
3D, 3E, 3F, 3G, 3H, 3I, 3J and 3K are shown on pages 10 and 11.

ULTRAWALL
Relocatable
Partitions

Continued

Ceiling Rail	Termination	Door Frame Head—Full Height
 <p>tab</p> <p>STL-362 ceiling track</p> <p>end of stud</p> <p>3/4" ULTRAWALL panel</p> <p>4A</p>	 <p>STL-365 plain rail</p> <p>STL-361 strut runner</p> <p>4B</p>	 <p>suitable fastener</p> <p>STL-362 or ARL-300 flanged rail (shown)</p> <p>SMR snap-in header</p> <p>wood door or transom</p> <p>4C</p>
Door Frame Head	Ceiling Corner Runner	
 <p>3/4" ULTRAWALL panel</p> <p>3 3/8"</p> <p>1 1/4" type S screw 18" o.c.</p> <p>STL-361 strut runner</p> <p>1/2"</p> <p>1 1/8"</p> <p>1 1/2"</p> <p>3/8"</p> <p>1 3/4" door</p> <p>1/4" type S screw 24" o.c.</p> <p>SMR door frame</p> <p>4C alt.-1</p>	 <p>ceiling 5318 track corner</p> <p>STL-362 ceiling runner</p> <p>1/2" type S-12 screw</p> <p>ULTRAWALL gypsum panel</p> <p>4X</p>	

Door Frame and Glazing Designs

ULTRAWALL partition systems come with a unique Self Mortising and Reversible Door Frame design.

Door Frames

SMR-Delta
Aluminum

Self Mortising, Reversible Satin anodized, ULTRABRONZE or painted.
Snap-in header for ceiling-height openings (2-pc.).
Milled header and mitered snap-on perimeter trim for door-height openings (3-pc.).
Snap-in mortise closure.
Vinyl door mute.
Hinge backup plate, adjustable.
Designed for 1-3/4" hollow and solid core doors; accepts sidelites.

Glazing

Aluminum Glazing component finishes are Satin Anodized, ULTRABRONZE or Painted.

Installation Procedure

Installation Procedure

- 1 Basic Installation—Lay out partition centerlines on ceilings (for ceiling height partitions) and floor. Install ceiling track, then floor runner, checking for plumbness before fastening the floor runner. Install strut studs at door openings and wall terminations. Install panels and trim (See ULTRAWALL Installation Guide, MP-501). Adjust all hardware for proper clearances and smooth operation.
- 2 Control Joint Requirements—Isolate ULTRAWALL Partition perimeters from all building structural members except floor, and dissimilar wall or ceiling surfaces where differential movement could occur.
- 3 Sound Control Barrier Requirements—If ULTRAWALL Partition is to function as a sound barrier or is designed for a specific sound rating, avoid adjacent or back-to-back panel cutouts and seal partition perimeter and all cutouts and intersections with Acoustical Sealant or closed cell foam.
- 4 Electrical Boxes—Use standard conduit and electrical boxes with depth not exceeding 2-1/2".
- 5 Wall Studs/Panels—Install studs and panels progressively, fitting stud flange into panel kerf. Rest top of wall panel against flanges in the ceiling track and swing bottom inward as you slide the panel into place. Continue with studs and panels in each direction until terminating wall leaves space enough only for a partial panel. Terminate the wall with runner applied vertically, plumb and attached to the terminating wall with self-drilling screws or other mechanical fasteners.
- 6 Field Cut Panels—To complete the terminating wall, field-cut a panel to fit the space remaining, either cutting or using "score and snap" technique. To install the field-cut panel, lock the factory-cut edge into the preceding stud and screw panel to the vertical track. Install a cut panel molding to cover the screws at the termination.
- 7 Door Frame Installation
 - SMR Frames—for 1-3/4" thick doors, solid or hollow core; 2-piece snap-in head for ceiling height frames, or 3-piece milled head with mitered snap-on trim for door height frames; self-mortising, reversible, include snap-in mortise closures and vinyl door mute. SMR Delta style comes with hinge back-up plates. Install according to instructions.

Limitations

- 1 Wall system is designed for non-load bearing applications.
- 2 Color matching of fabrics and vinyls is considered well within normally accepted commercial tolerance. Dye batch and direction of pattern can affect perceived color. In any unbroken area, all material used should be from the same product lot and with pattern in the same direction to minimize differences.
- 3 Install these products under ambient conditions within the standard occupancy range of temperature and humidity (65-85 °F, no more than 80% RH) after residual moisture from plaster, concrete and terrazzo work has dissipated to avoid potential adverse changes in product dimensions of delamination of wall coverings. Where high humidity and temperature conditions predominate, consult a qualified mechanical engineer regarding use and location of a vapor barrier (if any) to prevent moisture condensation within the wall cavity and the resultant damage to wall finishes.
- 4 Not recommended for use where exposed to excessive moisture.
- 5 Wall height with steel H-studs is limited to 12'8" with studs spaced 24" o.c. Wall height with steel T-studs is limited to 10'0" with studs spaced 24" o.c. Limitations are based on 5 lb./ft.² uniform loading and L/120 deflection criteria. More height may be obtained with additional structural support—contact your manufacturer representative.
- 6 Limiting unrestrained length between supports of cornice height and bank rail partitions, including those with door openings joined by a continuous top rail, must not exceed 12'6". Longer runs require rail struts or intersecting partitions at those intervals. Solid core doors must not be used in cornice height partitions over 10' long. For greater rigidity, vertical support bracing should be reduced to 10' or supplementary supports installed per manufacturer recommendations. Top rail butt joints are to occur only at vertical supports.
- 7 For bank rail, rail struts also are required at terminals, swinging gates and max. 10' intervals on freestanding partitions. When bank rail is installed over lightweight concrete floors, L- or T- intersections are recommended at free-standing terminals and at limiting length intervals. Limiting height for bank rail partitions is 5'0".

System Specifications

1: General	1.01 Related Work	<p>A. Related work specified elsewhere:</p> <ol style="list-style-type: none"> 1. Conventional door and glass frames: Section _____. 2. Wood doors: Section _____. 3. Glazing: Section _____. 4. Finish hardware: Section _____. 5. Painting: Section _____.
	1.02 System Description	<p>A. Interior wall system: Progressive system. Partitions shall be bevel edge type, 3-3/8" thick, railing, cornice or ceiling height. Wall centerlines are as shown on plans. System also provides door and glass frames, trims and base.</p>
	1.03 Quality Assurance	<p>A. Wall system components shall be sourced from one manufacturer which certifies that materials meet or exceed these specifications.</p> <p>B. Installing contractor: Installer shall have a history of completed jobs of similar size and scope. Contractor shall be registered and authorized by the manufacturer.</p> <p>C. Sound transmission: Provide independent laboratory certification that wall system provides 42 STC (gypsum partitions tested in accordance with ASTM E90).</p> <p>D. Fire protection: When required on drawings, provide independent laboratory certification that wall system has been successfully tested for 1-hour and 2-hour fire endurance and hose-stream in accordance with ASTM E119.</p> <p>E. Structural: Provide transverse load rating and impact resistance tests in accordance with ASTM E72.</p>
	1.04 Submittals	<p>A. Samples: Submit finish and color samples.</p> <p>B. Manufacturer's data called for in quality assurance section and finish performance data per Section 2.02B.</p> <p>C. The partition contractor shall submit shop drawings for assemblies or conditions not fully described on working drawings.</p>
	1.05 Environmental Conditions	<p>A. Temperature within the building shall be above a constant minimum of 65 °F with relative humidity not over 70% during erection of a partition. When required, heat shall be furnished by the general contractor. Erection of the partition systems shall not begin until building exterior provides complete protection from the outside weather. Panels shall not be stored where they are subjected to temperature, moisture or humidity extremes.</p>
	1.06 Delivery, Storage and Handling	<p>A. Prefinished materials shall arrive at job site in their original unopened cartons or other protective packaging necessary to protect finishes. Materials should be stored in such packages until time of application. Bulk items (studs and tracks) shall arrive in banded bundles for ease of handling and distribution. Panels shall arrive and remain on adequate support to ensure flatness and prevent damage.</p>
2: Products	2.01 Manufacturer	<p>A. Ultrawall partition system as manufactured by Ultrawall, LLC</p>
	2.02 Materials	<p>A. Framing:</p> <ol style="list-style-type: none"> 1. Roll-formed steel studs, as indicated on drawings, providing for attachment of gypsum panels and allowing for utility passage. 2. Struts/Runners shall be roll-formed galvanized steel to hold panels in alignment. 3. Ceiling track of (steel) (aluminum) shall be designed to stabilize wall at ceiling, cover panel tops or provide for covering trim, and integrate with full-height door and glass framing. <p>B. Panels:</p> <ol style="list-style-type: none"> 1. ULTRAWALL panels shall be composed of factory kerfed gypsum board measuring 3/4" thick by (24") wide by (8') (9') (10') (12') long. 2. ULTRAWALL panels shall be predecorated in manufacturer's standard vinyl. Panels shall be factory kerfed and bevel-edged for uniform joint appearance. 3. Finish performance data per the following schedule shall be made available prior to bid: <ol style="list-style-type: none"> a. Impact resistance (ASTM D2794) b. Flame spread (ASTM E84) <p>C. Glazing Components:</p> <p>Glazing shall be aluminum to integrate with ceiling track, door frames and trim components. Glass furnished by others.</p>

		<p>D. Door Frames: Door frames shall be aluminum to integrate with ceiling track, glazing and trim components. Frames shall measure (6'8") (7'0") (ceiling height) and () wide unless otherwise noted on drawings. Frames shall be (nonhanded reversible) (left and right handed) and mortised for (1-1/2) (2) pair of 4-1/2" x 4-1/2" std. wt. template butt hinges and standard A-115.1 strike unless otherwise noted.</p> <p>E. Aluminum ceiling track, glazing and door frames shall be (satin anodized) (ULTRABRONZE anodized) (painted in manufacturer's standard colors.) Steel ceiling track, glazing and door frames shall be painted in manufacturer's standard colors.</p> <p>F. Color of base shall be from manufacturer's standard colors. Base shall be complete with corner moldings.</p> <p>G. Trims: Trims shall be ((satin) [ULTRABRONZE] anodized) (painted) aluminum or (vinyl-covered) PVC moulding to match other system components and made with (square-edge) (radiused) outside corners.</p> <p>H. Doors: Wood doors, 1-3/4" thick, () size, (left-hand) (right-hand) opening, (doors supplied by others.)</p> <p>I. Sound insulation shall be THERMAFIBER sound attenuation fire blankets, paperless, semi-rigid, spun mineral fiber mat (1" (1-1/2") 24" x 48".</p> <p>J. Adhesives: Adhesives used shall be Setting-Type Joint Compound or All Purpose Joint Compound Ready-Mixed.</p> <p>K. Fasteners: Screws shall be 1-1/4" long Type S screws (for single layer).</p>
3: Execution	3.01 Inspection	<p>A. Before stocking or installing materials, the contractor should inspect the building site to verify that floors and ceilings contain no defects which would result in a poor installation of the wall system. At this time, floor-to-ceiling measurements should be taken at enough points to ensure correct installation of full-height frames.</p>
	3.02 Installation	<p>A. Install partition framing and panels after floor coverings and suspended acoustical ceilings have been installed. (Reference ULTRAWALL Installation and Maintenance Manual MP-501). Coordinate partition work with work of other trades which in any way affects partition installation. Avoid damage to installed work.</p> <p>B. Furnish and install anchoring devices required, and secure partitions to floor and ceiling using concealed fastening devices which will not mar surface. Penetrating fasteners to be used only at door frames, finished ends, corners, glazing or where structurally necessary.</p> <p>C. Install partitions rigid, level, plumb and in alignment, and with all components secured together in accordance with manufacturer's instructions. Leave partitions complete, thoroughly clean and in perfect condition.</p> <p>D. Provide through posts to ceiling or other concealed supports, if required, to assure lateral stability of partition runs.</p>

Additional Information

For more information on these
products contact:
Ultrawall, LLC
1.877.Ultrawall (877.858.7292)
www.ultrawall.com
e-mail: info@ultrawall.com

Trademarks
The following are trademarks of
USG Interiors, Inc. or a related
Company: ULTRABRONZE, ULTRAWALL.
THERMAFIBER is a trademark of
Thermafiber LLC.

Notice
We shall not be liable for inciden-
tal and consequential damages,
directly or indirectly sustained, nor
for any loss caused by application
of these goods not in accordance
with current printed instructions or
for any other than the intended
use. Our liability is expressly limit-
ed to replacement of defective
goods. Any claim shall be deemed
waived unless made in writing to
us within thirty (30) days from
date it was or reasonably should
have been discovered.

Note
All products described here may
not be available in all geographic
markets. Consult your local sales
office or representative for infor-
mation.